



XLED 1037
PR-8120

This product manual contains important information about the safe installation and use of this projector. Please read and follow these instructions carefully and keep this manual in a safe place for future reference.

PR LIGHTING LTD.
<http://www.pr-lighting.com>

INDEX

| | |
|--|----|
| SAFE USAGE OF THE PROJECTOR..... | 3 |
| INSTALLING THE PROJECTOR..... | 4 |
| POWER SUPPLY – MAINS..... | 4 |
| CONTROL CONNECTIONS..... | 5 |
| DMX TERMINATOR..... | 5 |
| SETUP OPTIONS-PROJECTOR CONFIGURATION..... | 6 |
| TO SET THE DMX START ADDRESS..... | 6 |
| OPERATION MENU..... | 7 |
| DMX PROTOCOL..... | 9 |
| INDICATION OF LED DIGITAL TUBE..... | 10 |
| MAINTENANCE..... | 10 |
| KEEPING THE PROJECTOR CLEAN..... | 10 |
| TROUBLESHOOTING..... | 11 |
| TECHNICAL DATA..... | 12 |
| ELECTRICAL DIAGRAM..... | 14 |
| COMPONENT ORDER CODES..... | 15 |

Please note that as part of our ongoing commitment to continuous product development, specifications are subject to change without notice. Whilst every care is taken in the preparation of this manual we reserve the right to change specifications in the course of product improvement. The publishers cannot be held responsible for the accuracy of the information herein, or any consequence arising from them.

Every unit is tested completely and packed properly by the manufacturer. Please make sure the packing and / or the unit are in good condition before installation and use. Should there be any damage caused by transportation, consult your dealer and do not use the unit. Any damage caused by improper use will not be assumed by the manufacturer and / or dealer.

ACCESSORIES

These items are packed together with the projector:

| Name | Quantity | Unit | Remark |
|-----------------------------|----------|------|---|
| G clamp | 2 | Pcs | |
| Ω clamp | 2 | Pcs | Optional |
| XLR cable | 1 | Pc | With Plug & Socket |
| Safety cord | 1 | Pc | |
| This manual | 1 | Pc | |
| Wireless Receiver's Antenna | 1 | pc | Mounted with its interface in a lighting fixture before use |

SAFE USAGE OF THE PROJECTOR


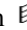
When unpacking and before disposing of the carton check there is no transportation damage before using the projector. Should there be any damage caused by transportation, consult your dealer and do not use the apparatus.

The projector is for indoor use only, IP20. Use only in dry locations. Keep this device away from rain and moisture, excessive heat, humidity and dust. Do not allow contact with water or any other liquids.

DO NOT mount the projector directly onto inflammable surface 

The projector is only intended for installation, operation and maintenance by qualified personnel.

The projector must be installed in a location with adequate ventilation, at least 50cm from adjacent wall surfaces. Be sure that no ventilation slots are blocked.

Do not project the beam onto inflammable surfaces, minimum distance is 5m.  5m 

Avoid direct exposure to the light from the lamp. The light is harmful to the eye.

Do not attempt to dismantle and/or modify the projector in any way.

Electrical connection must only be carried out by qualified personnel.

Before installation, ensure that the voltage and frequency of power supply match the power requirements of the projector.

It is essential that each projector is correctly earthed and that electrical installation conforms to all relevant standards.

Do not connect this device to any other types of dimmer apparatus.

Make sure that the power-cord is never crimped or damaged by sharp edges. Never let the power-cord come into contact with other cables. Only handle the power-cord by the plug. Never pull out the plug by tugging the power-cord.

Keep a projector's optical system clean. Do not touch LED lens with bare hands.

The projector should always be installed with a secondary safety fixing. A safety cord is supplied for this; it should be attached as shown in "installing the projector" section.

Shields and lens shall be changed if they have become visibly damaged to such an extent that their effectiveness is impaired, for example by cracks or deep scratches.



LED lamps should be replaced if damaged or having reached life limit.

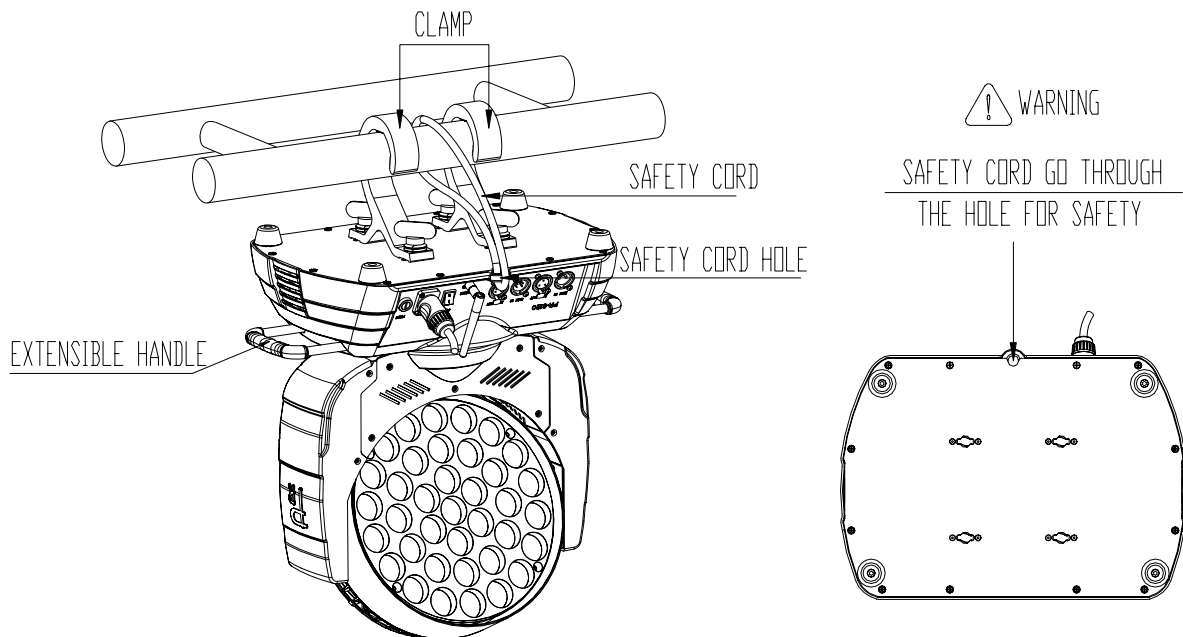
Exterior surface temperatures of the luminaire after 5 minutes operation is 55°C, when steady state is achieved 70°C,

There is no user serviceable parts inside the projector, do not open the housing and never operate the projector with the covers removed.

If you have any questions, don't hesitate to consult your dealer or manufacturer.

Always disconnect a projector from the POWER when not in use or before cleaning or any maintenance work!

INSTALL THE PROJECTOR



Take 2 clamps and 1 safety cord out from the package and mount 2 clamps on the underside of fixture with 4 retainers attached to each clamp. Hang the fixture on the structure and fasten the screws attached to each clamp. (See the **WARNING** on the underside of the base as shown above) Always ensure that the projector is firmly anchored to avoid vibration and slipping whilst functioning. Always ensure that the structure that you are going to mount the projector is secure and is strong enough to support a weight of each projector.

WARNING:

1. The projector **MUST** be lifted or carried by the **HANDLES** instead of clamps.
2. For safety the safety cord should afford 10 times of the unit's weight.

POWER SUPPLY-MAINS

Connect the power cord as follows:

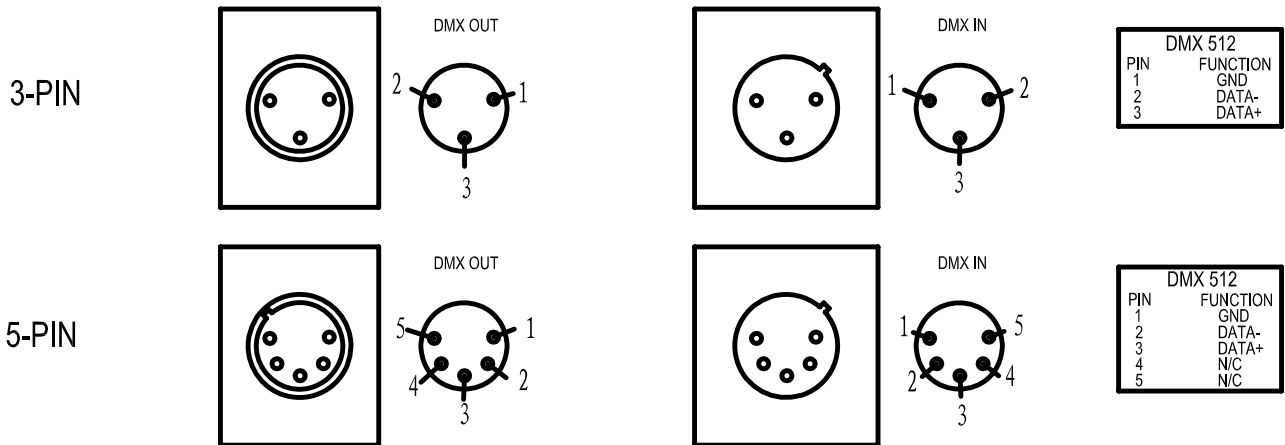
- L (live) =brown
- E (earth) =yellow/green
- N (neutral) =blue

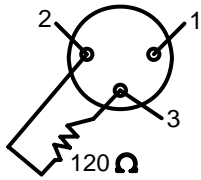
Use the plug provided to connect the mains power to the projector paying attention to the voltage and frequency marked on the panel of the projector. It is recommended that each projector be supplied separately so that they may be individually switched on and off.

IMPORTANT

It is essential that each projector is correctly earthed and the electrical installation conforms to all relevant standards.

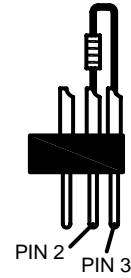
CONTROL CONNECTION



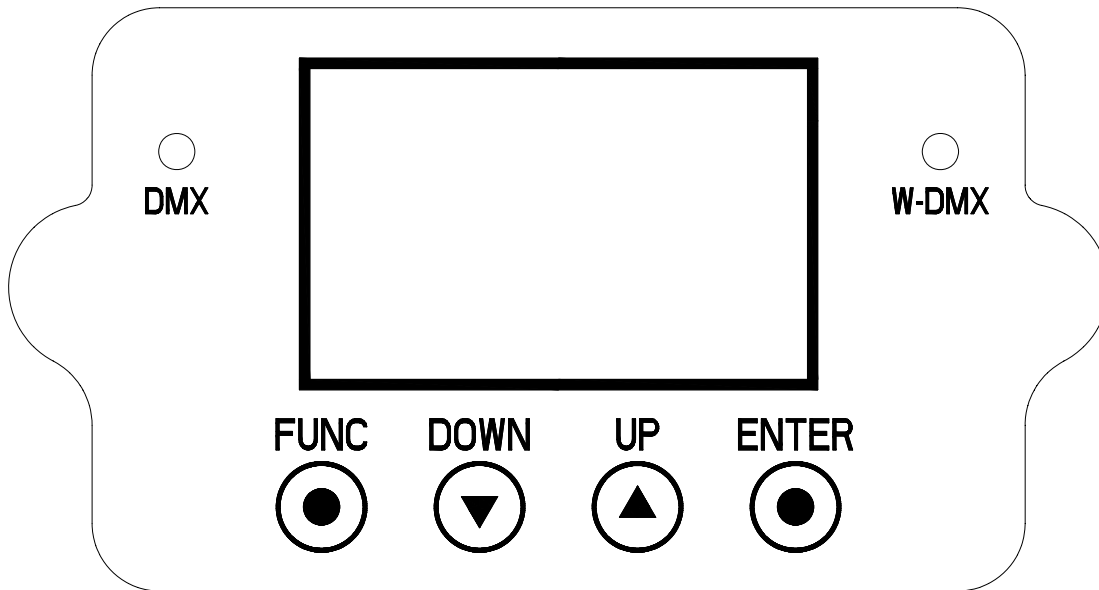


**DMX TERMINATOR
CONNECTION**

Connect a 120Ω(OHM) resistor
across pins 2 and 3 in an XLR plug
and insert into the DMX out socket
on the last unit in the chain.



SETUP OPTIONS-PROJECTOR CONFIGURATION



Projector configuration can be set conveniently via press button switch and LCD display.

To browse or change its setup options, Press button **ENTER** more than 3 seconds to unlock panel. Menu will be displayed on the screen, each menu has its own sub-menu. Each menu has specific function, Please refer to “Operation Menu” for details.

Press button **UP** or **DOWN** if you want to browse or change through the various Setup Options.

Press button **ENTER** to save your settings or enter the next menu.

Press button **UP** or **DOWN** to change values.(Add or subtract)

Press button **FUNC**, it will return to the upper menu one by one.

TO SET THE DMX START ADDRESS

Each projector must be given a DMX start address so that the correct projector responds to the correct control signals. This DMX start address is the channel number from which the projector starts to “listen” to the digital control information being sent out from the controller. The fixture has 2 DMX modes. There are standard mode and extended mode. For example standard mode has 17 channels, so set the No. 1 projector’s address 001, No. 2 projector’s address 018, No. 3 projector’s address 035, No. 4 projector’s address 052 and so on.

Launch the projector. Press button **ENTER** more than 3 seconds to unlock panel.

Press button **ENTER** to display **DMX address**;

Press button **UP** and **DOWN**, you can set the address;

Press button **ENTER** to confirm while Green Indication flashes, which means the projector has saved the Start Address automatically, when powered on next time, it will display the value saved last time.

Press button **FUNC**, it will return to the upper menu one by one.

OPERATION MENU

| 1 st level | 2 nd level | 3 rd level | 4 th level |
|-----------------------|--|-----------------------|-----------------------|
| DMX Address | XXX (DMX address:1~496) | | |
| Reset | Are You Sure | | |
| Config Settings | DMX ChannelMode (Default: Standard) | Standard 17 | |
| | | Extended 26 | |
| | Pan Tilt Swap (Default: OFF) | OFF | |
| | | ON | |
| | Pan&Tilt Invert (Default: OFF) | OFF | |
| | | ON | |
| | DMX Mode (Default: XLR First) | XLR First | |
| | | XLR Only | |
| | | Wireless Only | |
| | | Wireless First | |
| | | WirelessTo XLR | |
| | Unlink Wireless | YES | |
| | MasterSlaveSelec (Default: Slave) | Slave | |
| | | Master | |
| | Factory Settings | YES | |
| | Parameter Transmission | YES | |
| | Display Options | Language | Chinese |
| | | | English |
| | | Display Mode | Off After Delay |
| | | | On Always |
| | Display Invert | OFF | |
| | | ON | |
| | Display Contrast (Default:9) | 0~18 | |
| Information | Fixture Hours | XXXX | |
| | Software Version | X.X.X | |
| Test Mode | Self Test | YES | |

| | | | |
|---------------------|-------------------|--------------------|--------------------|
| | LED Lamp | OFF | |
| | | Red | |
| | | Green | |
| | | Blue | |
| | | White | |
| | | Color 1 | |
| | | Color 2 | |
| | | Color 3 | |
| | | Color 4 | |
| | | ON | |
| ZOOM | 0-255 | | |
| Pan Positons | 0-255 | | |
| Tilt Positions | 0-255 | | |
| Operation Mode | DMX Operation | | |
| | Preset Memory | | |
| | User 's Memory | | |
| | Static Scene 1~16 | CH1 Strobe | 000-015(No Strobe) |
| | | | 016-127(Pulse) |
| | | | 128-255(Strobe) |
| | | CH2 Red | 0-255 |
| | | CH3 Green | 0-255 |
| | | CH4 Blue | 0-255 |
| | | CH5 Blue | 0-255 |
| | | CH6 Zoom | 0-255 |
| | | CH7 Pan Positons | 0-255 |
| | | CH8 Tilt Positions | 0-255 |
| CH9 Pan&Tilt Speeds | 0-255 | | |
| CH10 Hold Time | 0.1s~25s | | |

Note:

1. There is only one Projector to be set as a Master in a signal Cable. If Master's functions used, Please disable DMX control signal.
2. When multiple projectors' work together in synchronous control state, Parameters can be transmitted from the master projector to the slave projectors such as DMX channel mode, Display setting status (Contrast setting excluded) and operation mode (User memory data is included). Before parameters transmitted, the projector which will send parameters should be set as a Master and others be as Slaves.

DMX PROTOCOL

| Standard | Extended | Functions | DMX | Descriptions |
|----------|--|-------------------|---------|---|
| 1 | 1 | Strobe | 000-015 | NO Strobe |
| | | | 016-127 | Pulse from slow to fast |
| | | | 128-255 | Strobe from slow to fast |
| 2 | 2 | Dimmer | 000-255 | Linear Dimming from dark to Bright |
| | 3 | Dimmer in 16 bit | 000-255 | Dimming in 16 bit precision |
| 3 | 4 | Color Temp | 000 | NO |
| | | | 001-255 | Linear Color Temp adjustment from low to high |
| 4 | 5 | Animation | 000 | NO |
| | | | 001-255 | Animation effects |
| 5 | 6 | Color Macro | 000 | NO |
| | | | 001-031 | Red |
| | | | 032-063 | Green |
| | | | 064-095 | Blue |
| | | | 096-127 | Color 1 |
| | | | 128-159 | Color 2 |
| | | | 160-191 | Color 3 |
| | | | 192-223 | White |
| 224-255 | Rainbow effects (Speed from slow to fast between 224 and 255 in DMX value) | | | |
| 6 | 7 | Area 1 Red | 000-255 | Linear adjustment in Red from light to dark of Area 1 |
| | 8 | Area 2 Red | 000-255 | Linear adjustment in Red from light to dark of Area 2 |
| | 9 | Area 3 Red | 000-255 | Linear adjustment in Red from light to dark of Area 3 |
| 7 | 10 | Area 1 Green | 000-255 | Linear adjustment in Green from light to dark of Area 1 |
| | 11 | Area 2 Green | 000-255 | Linear adjustment in Green from light to dark of Area 2 |
| | 12 | Area 3 Green | 000-255 | Linear adjustment in Green from light to dark of Area 3 |
| 8 | 13 | Area 1 Blue | 000-255 | Linear adjustment in Blue from light to dark of Area 1 |
| | 14 | Area 2 Blue | 000-255 | Linear adjustment in Blue from light to dark of Area 2 |
| | 15 | Area 3 Blue | 000-255 | Linear adjustment in Blue from light to dark of Area 3 |
| 9 | 16 | Area 1 White | 000-255 | Linear adjustment in White from light to dark of Area 1 |
| | 17 | Area 2 White | 000-255 | Linear adjustment in White from light to dark of Area 2 |
| | 18 | Area 3 White | 000-255 | Linear adjustment in White from light to dark of Area 3 |
| 10 | 19 | Zoom | 000-255 | Linear Zooming (0%~100%) |
| 11 | 20 | Zoom in 16 bit | 000-255 | Zooming in 16 bit precision |
| 12 | 21 | Pan | 000-255 | Pan (0° ~540°) |
| 13 | 22 | Pan in 16 bit | 000-255 | Pan in 16 bit Precision |
| 14 | 23 | Tilt | 000-255 | Tilt (0° ~270°) |
| 15 | 24 | Tilt in 16 Bit | 000-255 | Tilt in 16 bit Precision |
| 16 | 25 | Pan & Tilt Speeds | 000-255 | Pan and Tilt Speeds from fast to slow |
| 17 | 26 | Control Function | 000-049 | Reserved |
| | | | 050-255 | Reset |

Remarks: DMX Priority sequence from high to low: Macro, Animation, CT, single color dimming of RGBW.

INDICATION OF LED DIGITAL TUBE

LED Indications:

| | | |
|------------------|-------|---|
| Green Indication | ON | DMX Signal OK |
| | OFF | NO DMX Signal |
| Blue Indication | ON | Wireless DMX Signal available |
| | Off | Not linked to any transmitter |
| | Flash | Lose link with a transmitter or being linked with one |

Explanations for logo on top-right of the LCD display:

| | |
|-----------|--|
| S | Slave |
| M | Master |
| D | DMX512 Mode |
| I | Preset Memory |
| U | User's Memory |
| T | Test Memory |
| Lock Logo | Buttons are Locked, buttons are unlocked and lock logo disappears after "Enter" button pressed more than 3 seconds |

MAINTENANCE

To prolong a Projector's life, Regular maintenance should be done for its LED optical System to ensure that the system be in best operational condition. If the projector does not function, check the fuses on the power socket of the projector, if burned, they should only be replaced by fuses of the same specification. Should these be damaged call a qualified technician before replacement. The projector has thermal protection device that will switch off the projector in case of overheating, should this occur, check if the fans work normally or fan and fan shield are blocked by dust. If the projector not operational, call a qualified technician. After cleaned and repaired, the projector can be restarted.

Any maintenance work should only be carried out by qualified technicians.

KEEPING THE PROJECTOR CLEAN

It definitely necessary to keep a projector clean for its reliable use. Cooling fans and their shield should be cleaned every 15days. LED lamps' lens and cover should be cleaned regularly for optimized light output.

Cleaning frequency depends on how often a projector is used and its operational environment. A soft cloth and typical glass cleaning products should be used in cleaning. It is recommended to clean the external optics at least once every 20 days.

Do not use any organic solvent, e.g. alcohol, to clean t housing of the apparatus.

TROUBLESHOOTING

| PROBLEM | ACTION |
|---|--|
| The projector can't be started | <ul style="list-style-type: none"> ➤ Power Cable not connected well ➤ Power supply damaged or not connected well, a qualified Technician should be required ➤ Control board not connected well and a qualified Technician should be required. |
| The lamp can be started, but LED lamps are off and not controlled | <ul style="list-style-type: none"> ➤ LED boards not connected properly, a qualified technician is needed |
| A projector's lamps are on but it doesn't respond to the controller | <ul style="list-style-type: none"> ➤ Make sure that the projector's start address is correctly set ➤ Replace or repair the DMX cable. |
| The beam appears dim and its brightness slows sharply | <ul style="list-style-type: none"> ➤ Ambient temperature too high which result in a projector overheating, necessary ventilating measures needed. |

TECHNICAL DATA

VOLTAGES:

100V~240V AC, 50/60Hz

POWER CONSUMPTION:

450W@220V

LED:

| | |
|------------------------------|---------------|
| Model | CREE (MCE4CT) |
| Power consumption | 10W(RGBW) |
| Quantity | 37pcs |
| Manufacturers Rated LED Life | 50000 Hours |

COLOURS:

RGBW linear color mixing with Macro

COLOR TEMPERATURE CORRECTION

Linear color temperature correction from 2700K to 10000K

DIMMER:

0-100% linearly adjustable

STROBE:

Electronic Strobe 0~25F.P.S

PAN AND TILT

PAN(0°~540°) and TILT(0°~270) with Auto Position Correction Function

LIGHT ANGLE

| | |
|--------------------------------|---------|
| Beam Angle(1/2 Maximum) | 13°~52° |
| Light Spot Angle(1/10 Maximum) | 27°~70° |

CONTROL:

DMX512, 3 pins and 5 pins interfaces
RDM Control Protocol
17channels in standard mode, and 26 channels in extended mode
Master/Slave Synchronous Control Mode
Static Scene Mode
Single Mode
Self Test Mode

OTHER FUNCTIONS:

Pan & Tilt Speed adjustable
Auto speed adjustment of Fans

Auto Power-off @ high LED TEMP
 Display's Brightness and Contrast adjustable
 Lamp & Fixture use Time display
 DMX512 Channel Value Display
 Menu Invert Function

HOUSING:

High temperature ABS +die-casting aluminum, IP20

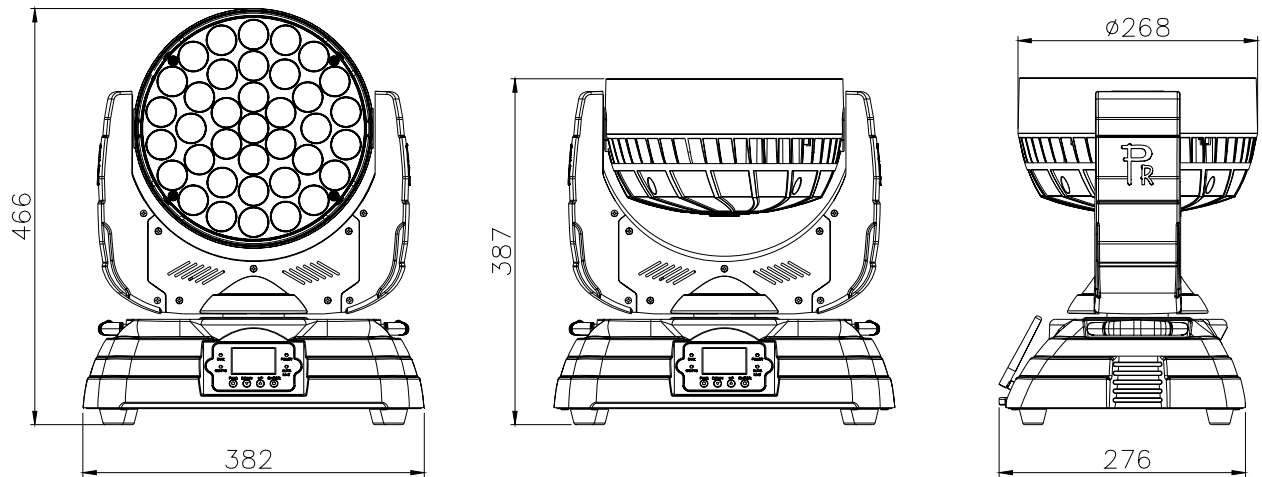
WORK ENVIRONMENT TEMPERATURE:

-20°C~40°C

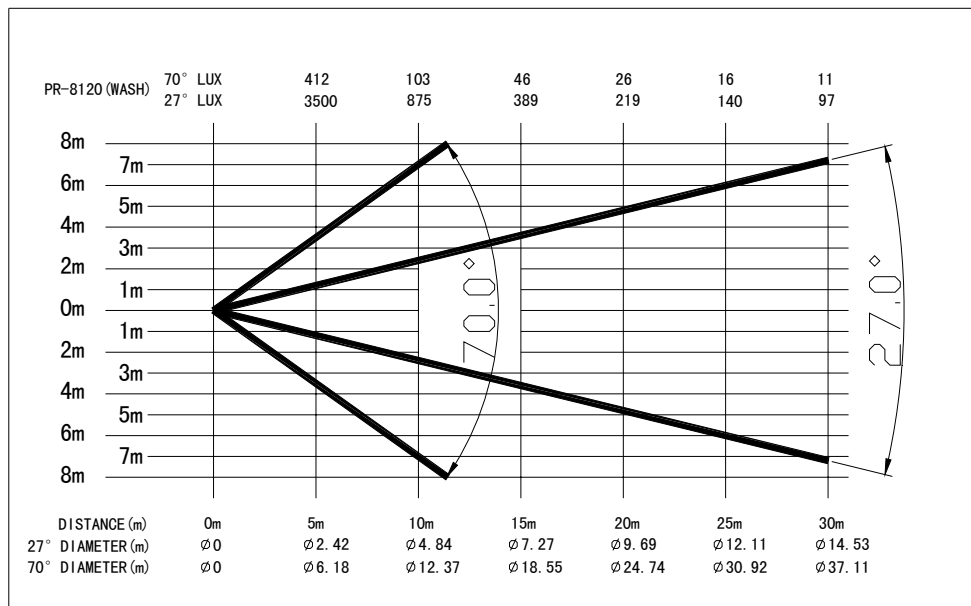
WEIGHT:

Net weight :12.85Kg Gross Weight: 16.9 Kg

SIZE:



LIGHT OUTPUT:



COMPONENT ORDER CODES

| NAME | PART NO. | QUANTITY | REMARK |
|--|-----------------|-----------------|-------------------------|
| Wireless Antenna | W006503 | 1 | A40501 360*360 |
| Wireless Receiver | W006502 | 1 | A40901G4 |
| Fuse(VDE Certificate) | 270041037 | 1 | |
| Magnet Couple Board on the Right(with sockets) | 230020113 | 2 | |
| Belt | 290151352 | 1 | HTD447-3M, 8MM Wide |
| Belt | 290151353 | 1 | HTD342-3M ,8MM Wide |
| First Lens | 070070052 | 37 | |
| Second Lens | 070070053 | 37 | |
| Stepper Motors | 030040162 | 4 | 20DAM10D2B-K(Portescap) |
| Stepper Motors | 030040174 | 2 | PAN/TILT |
| Cooling Fans | 030060079 | 2 | |
| PWM Speed variable Fan | 030060074 | 1 | |
| LED Lamp Board | 230060118 | 1 | |
| LCD Display | 230060232 | 1 | |
| LED Drive Board | 230060259 | 1 | |
| Pan/Tilt Control Board | 230060257 | 1 | Pan/Tilt Motors Control |

PR LIGHTING LTD.

1582 Xingye Avenue, Nancun Panyu
Guangzhou, 511442 China
TEL: +86-20-3995 2888
FAX: +86-20-3995 2330

P/N: 320020108A
Version: 20140108