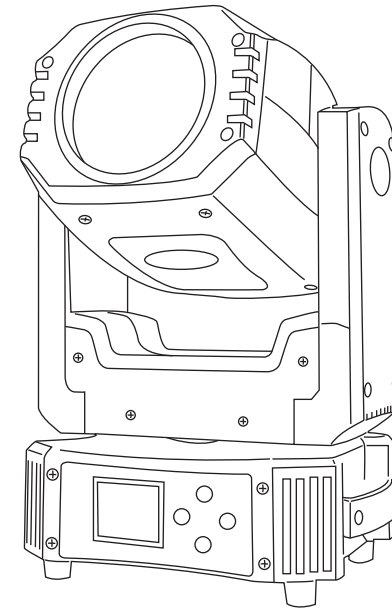


# JUNIOR

PR



## MINI BEAM 1R JNR-8164A

PR LIGHTING LTD.  
<http://www.pr-lighting.com>  
1582 Xingye Avenue, Nancun Panyu  
Guangzhou, 511442 China  
TEL: +86-20-3995 2888

# 1 SAFETY INSTRUCTIONS



## CAUTION

Be careful with your operations. With a dangerous voltage you can suffer a dangerous electric shock when touching wires!

This device has left the factory in perfect condition. In order to maintain this condition and to ensure a safe operation, it is absolutely necessary for the user to follow the safety instructions and warning notes written in this user manual.



## IMPORTANT

Damages caused by the disregard of this user manual are not subject to warranty. The dealer will not accept liability for any resulting defects or problems.

If the device has been exposed to temperature changes due to environmental changes, do not switch it on immediately. The arising condensation could damage the device. Leave the device switched off until it has reached room temperature.

This device falls under protection-class I. Therefore it is essential that the device be earthed.

The electric connection must be carried out by a qualified person.

The device shall only be used with rated voltage and frequency.

Make sure that the available voltage is not higher than stated at the end of this manual.

Make sure the power cord is never crimped or damaged by sharp edges. If this would be the case, replacement of the cable must be done by an authorized dealer.

Always disconnect from the mains, when the device is not in use or before cleaning it. Only handle the power cord by the plug. Never pull out the plug by tugging the power cord.

During initial start-up some smoke or smell may arise. This is a normal process and does not necessarily mean that the device is defective, it should decrease gradually.

Please don't project the beam onto combustible substances.

Fixtures cannot be installed on combustible substances, keep more than 50cm distance with wall for smooth air flow, so there should be no shelter for fans and ventilation for heat radiation.

If the external flexible cable or cord of this luminaire is damaged, it shall be exclusively replaced by the manufacturer or his service agent or a similar qualified person in order to avoid a hazard.

## 10 MAINTENANCE AND CLEANING

The following points have to be considered during the inspection:

- 1) All screws for installing the devices or parts of the device have to be tightly connected and must not be corroded.
- 2) There must not be any deformations on the housing, color lenses, fixations and installation spots (ceiling, suspension, trussing).
- 3) Mechanically moved parts must not show any traces of wearing and must not rotate with unbalances.
- 4) The electric power supply cables must not show any damage, material fatigue or sediments.

Further instructions depending on the installation spot and usage have to be adhered by a skilled installer and any safety problems have to be removed.



In order to make the lights in good condition and extend the life time, we suggest a regular cleaning to the lights.

- 1) Clean the inside and outside lens each week to avoid the weakness of the lights due to accumulation of dust.
- 2) Clean the fan each week.
- 3) A detailed electric check by approved electrical engineer each three month, make sure that the circuit contacts are in good condition, prevent the poor contact of circuit from overheating.

We recommend a frequent cleaning of the device. Please use a moist, lint- free cloth. Never use alcohol or solvents.

There are no serviceable parts inside the device. Please refer to the instructions under "Installation instructions".

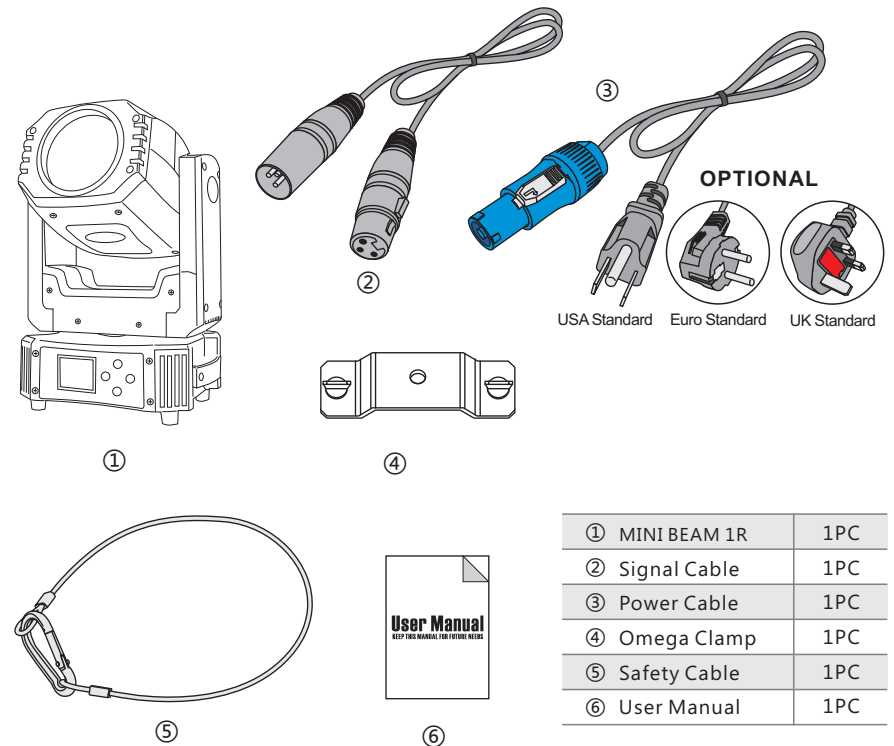
Should you need any spare parts, please order genuine parts from your local dealer.

## 2 UNPACKING

Thank you for choosing our MINI BEAM 1R. For your own safety, please read this manual before installing the device. This manual covers the important information on installation and applications. Please install and operate the fixture with following instructions. Meanwhile, please keep this manual well for future needs.

The MINI BEAM 1R is made of a new type of high temperature strength of engineering plastics and cast aluminum casing with nice outlook. The fixture is designed and manufactured strictly following CE standards, complying with international standard DMX512 protocol. It's available independently controlled and linkable with each other for operation. And it is applicable for large-scale live performances, theater, studio, nightclubs and discos.

The MINI BEAM 1R adopts 1PCS 100W YODN lamp which features high brightness and stability. Please carefully unpack it when you receive the fixture and check whether it is damaged during the transportation. And please check whether the following items are included inside the box:



①	MINI BEAM 1R	1PC
②	Signal Cable	1PC
③	Power Cable	1PC
④	Omega Clamp	1PC
⑤	Safety Cable	1PC
⑥	User Manual	1PC

### **3 FEATURES & SPECIFICATIONS**

#### **Features**

- A YODN 100W lamp included
- 6000 hours rated lamp source, lower power consumption
- Electronic ballast and power supply
- 8/16 Bit smooth and precise resolution for PAN/TILT movement
- Scan position memory, auto reposition after unexpected movement
- 3.2° Beam angle
- Improved optics and flat beam field
- No need for adjustment of reflector or lamp
- Anti-reflection 96mm front lenses
- 1 Static gobo wheel with 11 gobos plus open
- 1 Color wheel with 12 colors plus open
- Variable direction rainbow effect with speed adjustable
- Motorized focus from near to far
- 16-facet prism with variable speed and direction
- 16-Facet+8-facet prism with variable speed and direction
- Combined prism effect by 16-facet prism and 6-Facet+8-facet prism with variable speed and direction
- Frost filter available (Hybrid effect for wash)
- Dual flag mechanical dimming system
- 20T/sec high speed LED shutter/strobe effect with variable speed
- Preset variable/random strobe and dimming pulse effect
- 13/14/16 DMX channels USITT DMX-512
- DMX512, master-slave, and sound activated controllable or auto operation
- DMX recorder and edit function integrated
- 2.4" TFT LCD display (320\*240pix) with 4 light touch control buttons
- Display reversible for up side down application
- Powercon IN/OUT
- 3-Pin XLR connectors IN/OUT
- Fan cooling system
- Constant temperature readout and management function
- Lamp using time readable on the display
- -35-45°C max ambient temperature
- IP20 protection rating
- 55dB at 3'dB rating
- 1\*1/4 Turn fastening Omega clamps
- 1\*Safety attachment point available

13	14	16	Function (>3sec)	0-24	Empty
				25-49	Reset:effects
				50-74	Empty
				75-99	Reset:complete
				100-124	Empty
				125-149	Reset:sound control
				150-174	Empty
				175-199	Lamp off
				200-224	Empty
				225-255	Lamp on

				144-150	Color 10 + Color 11
				151-157	Color 11
				158-164	Color 11 +Color 12
				165-171	Color 12
				172-213	Color forward rotation from slow to fast
				214-255	Color backward rotation from slow to fast
6	7	9	Gobo	0-10	White
				11-15	Gobo 1
				16-20	Gobo 2
				21-25	Gobo 3
				26-30	Gobo 4
				31-35	Gobo 5
				36-40	Gobo 6
				41-45	Gobo 7
				46-50	Gobo 8
				51-55	Gobo 9
				56-60	Gobo 10
				61-65	Gobo 11
				66-75	Shake from slow to fast: gobo 1
				76-85	Shake from slow to fast: gobo 2
				86-95	Shake from slow to fast: gobo 3
				96-105	Shake from slow to fast: gobo 4
				106-115	Shake from slow to fast: gobo 5
				116-125	Shake from slow to fast: gobo 6
				126-135	Shake from slow to fast: gobo 7
				136-145	Shake from slow to fast: gobo 8
				146-155	Shake from slow to fast: gobo 9
				156-165	Shake from slow to fast: gobo 10
				166-175	Shake from slow to fast: gobo 11
	176-215	Rotation from fast to slow			
	216-255	Rotation from slow to fast			
7	8	10	Prism 1	0-127	Prism excluded
				128-255	Prism inserted
8	9	11	Prism 1 rotation	0-127	Position in del 0-540 angle degree
				128-190	Rotation from fast to slow
				191-192	Stop
				193-255	Rotation from slow to fast
9	10	12	Prism 2	0-127	Prism excluded
				128-255	Prism inserted
10	11	13	Prism 2 rotation	0-127	Position in del 0-540 angle degree
				128-190	Rotation from fast to slow
				191-192	Stop
				193-255	Rotation from slow to fast
11	12	14	Frost	0-127	No frost
				128-255	Frost
12	13	15	Focus	0-255	0%-100%

## Specifications

Input Voltage:AC90-260V 50/60Hz

Lamp Quantities:1\* A YODN 100W lamp

Control Signal:DMX512, master-slave and sound activated or auto operation

Control Channel:13/14/16 DMX channels USITT DMX-512

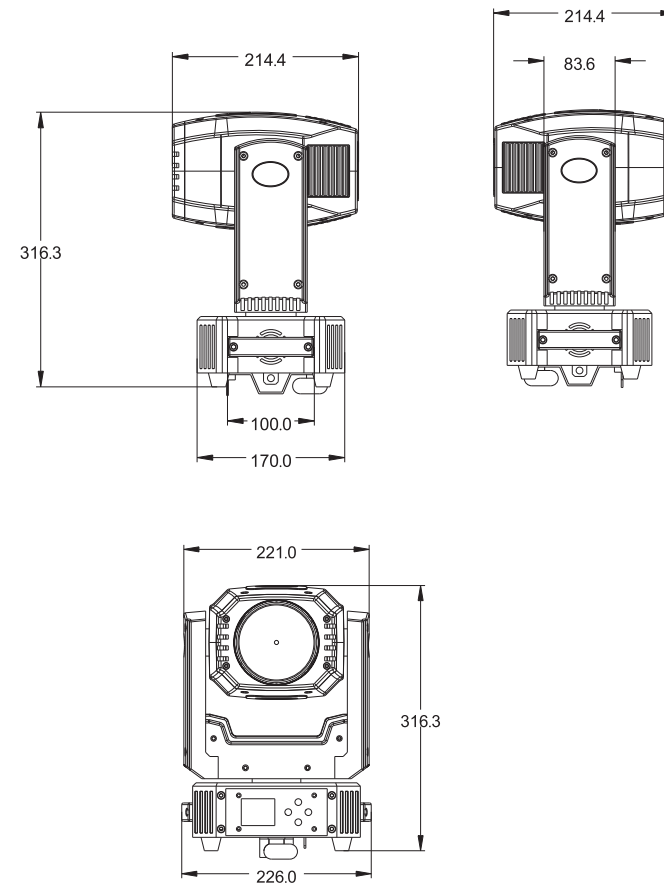
Power Consumption: 170W

Dimensions:226(D)\*214(W)\*317(H)mm

Packing Dimensions:295D)\*280(W)\*385(H)mm

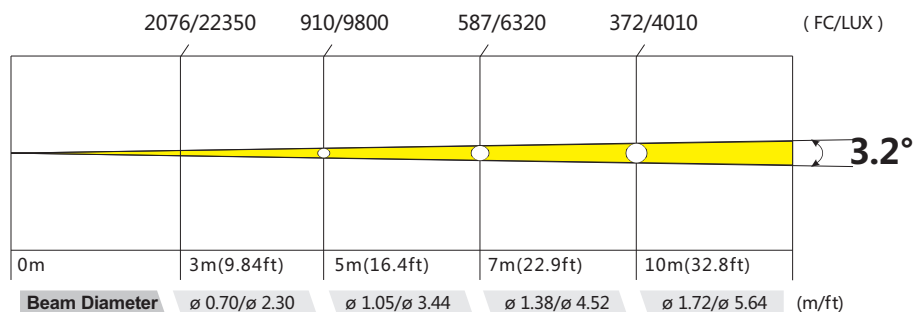
Net Weight: 7.92kg

Gross Weight: 9.28kg



## 4 PHOTOMETRIC DATA

Photometric Beam Angle Data  $3.2^\circ$  Beam Angle  $LUX \times 0.0929 = FC$



## 5 OPERATION INSTRUCTIONS

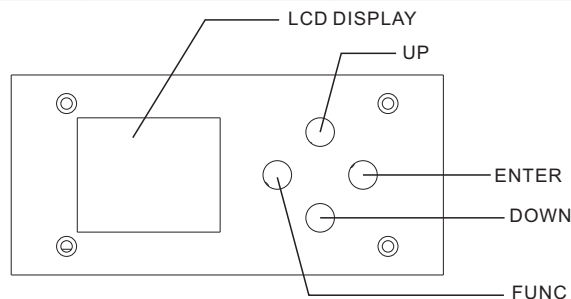
- The MINI BEAM 1R is for wash effect for on-site decoration purpose.
- Don't turn on the fixture if it's been through severe temperature difference like after transportation because it might damage the light due to the environment changes. So make sure to operate the fixture until it is in normal temperature.
- This light should be keep away from strong shaking during any transportation or movement.
- Don't pull up the light by only the head, or it might cause damages to the mechanical parts.
- Don't expose the fixture in overheat, moisture or environment with too much dust when installing it. And don't lay any power cables on the floor. Or it might cause electronic shock to the people.
- Make sure the installation place is in good safety condition before installing the fixture.
- Make sure to put the safety chain and check whether the screws are screwed properly when installing the fixture.
- Make sure the lens are in good condition. It's recommended to replace the units if there are any damages or severe scratch.
- Make sure the fixture is operated by qualified personnel who knows the fixture before using.
- Keep the original packages if any second shipment is needed.
- Don't try to change the fixtures without any instruction by the manufacturer or the appointed repairing agencies.
- It is not in warranty range if there are any malfunctions from not following the user manual to operate or any illegal operation, like shock short circuit, electronic shock, lamp broke, etc.

## 9 DMX CHANNELS

Mode/Channel			Function	Values	Description
M1	M2	M3			
1	1	1	PAN	0-255	0%-100%
		2	PAN fine	0-255	0%-100%
2	2	3	TILT	0-255	0%-100%
		4	TILT fine	0-255	0%-100%
	3	5	PAN&TILT speed	0-225	PAN&TILT speed from fast to slow
				226-235	Black out ( PAN/TILT movement )
				236-245	Black out ( Gobo/Color change )
				246-255	No function
3	4	6	Dimmer	0-9	Closed
				10-255	Dimmer from 0%-100%
	5	7	Strobe	0-31	No function(Black)
				32-63	Open
				64-95	Strobe from slow to fast
				96-127	Open
				128-143	Strobe from slow to fast
				144-159	Strobe from fast to slow
				160-191	Open
				192-223	Random strobe from slow to fast
			224-255	Open	
5	6	8	Color wheel 12+1	0-10	White
				11-17	Color 1
				18-24	Color 1 + Color 2
				25-31	Color 2
				32-38	Color 2 + Color 3
				39-45	Color 3
				46-52	Color 3 + Color 4
				53-59	Color 4
				60-66	Color 4 + Color 5
				67-73	Color 5
				74-80	Color 5 + Color 6
				81-87	Color 6
				88-94	Color 6 + Color 7
				95-101	Color 7
			102-108	Color 7 + Color 8	
			109-115	Color 8	
			116-122	Color 8+Color 9	
			123-129	Color 9	
			130-136	Color 9+Color 10	
			137-143	Color 10	

## 8 MENU OPERATIONS

MENU	Address mode	Address=***		
		**CH DMX		
		Auto (Alone)		
		Auto (Master)		
		Sound (Alone)		
	Language	Sound(Master)		
		Chinese		
		English		
		France		
	Lamp	Spanish		
		Lamp OFF		
		Lamp ON		
	Reset	Reset time		
		Reset =No		
	Option	Reset=Yes		
		Pan/Tilt blackout	Off/On	
		Lamp on by power	Off/On	
		Lamp on by power	Off/On	
		Shortcut ON/OFF	Off/On	
		DMX lost set	Off/On	
		Display reverse	Off/On	
		Display delay OFF	Off/On	
	Reset default	No/Yes		
	Setup	Password	008	
		Calibration	Pan	
			Tilt	
			Color	
			Gobo	
			Prism 1	
			Prism 2	
			Frost	
			Focus	
Dimmer				
Information	Mic Sensitivity			
	1.Temperature=***C			
	2.Lamp time=*****H			
	3.ID=*****			
	4.Version=*,***			



## 6 INSTALLATIONS

**Cautions:** For added protection mount the fixtures in areas outside walking paths, seating areas, or in areas where the fixture might be reached by unauthorized personnel.

Before mounting the fixture to any surface, make sure that the installation area can hold a minimum point load of 10 times the device's weight.

Fixture installation must always be secured with a secondary safety attachment, such as an appropriate safety cable.

Never stand directly below the device when mounting, removing, or servicing the fixture.

Always use and install the supplied safety cable as a safety measure to prevent accidental damage and/or injury in the event the clamp fails.

**Mounting points:** Overhead mounting requires extensive experience, including amongst others calculating working load limits, a fine knowledge of the installation material being used, and periodic safety inspection of all installation material and the fixture. If you lack these qualifications, do not attempt the installation yourself. Improper installation can result in bodily injury.

Be sure to complete all rigging and installation procedures before connecting the main power cord to the appropriate wall outlet.

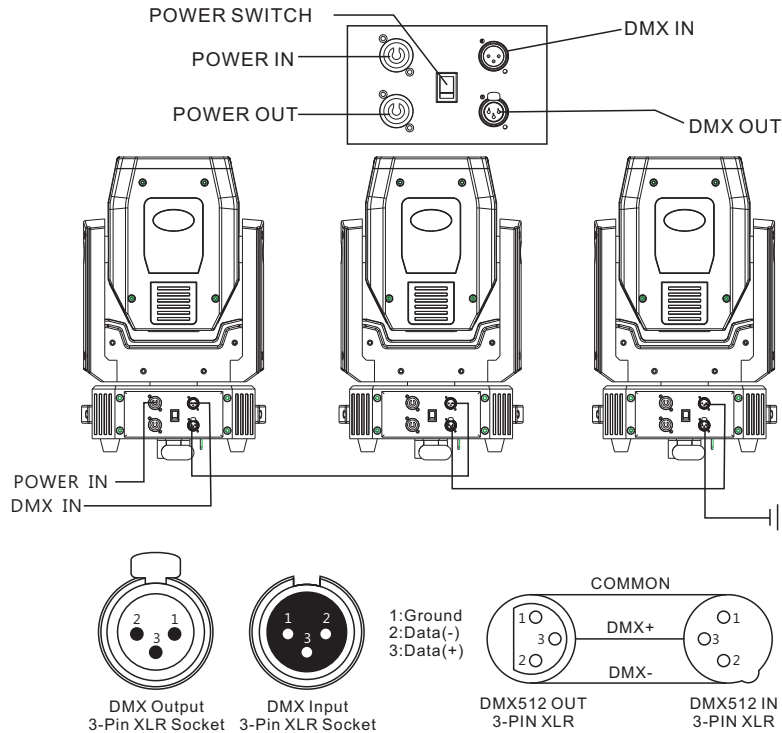
**Clamp mounting:** The MINI BEAM 1R provides a unique mounting bracket assembly that integrates the bottom of the base, and the safety cable rigging point in one unit (see the illustration below). When mounting this fixture to truss be sure to secure an appropriately rated clamp to the included omega bracket using a M10 screw fitted through the center hole of the "omega bracket". As an added safety measure be sure to attach at least one properly rated safety cable to the fixture using one of the safety cable rigging point integrated in the base assembly.

# 7 DMX-512 CONTROL CONNECTIONS

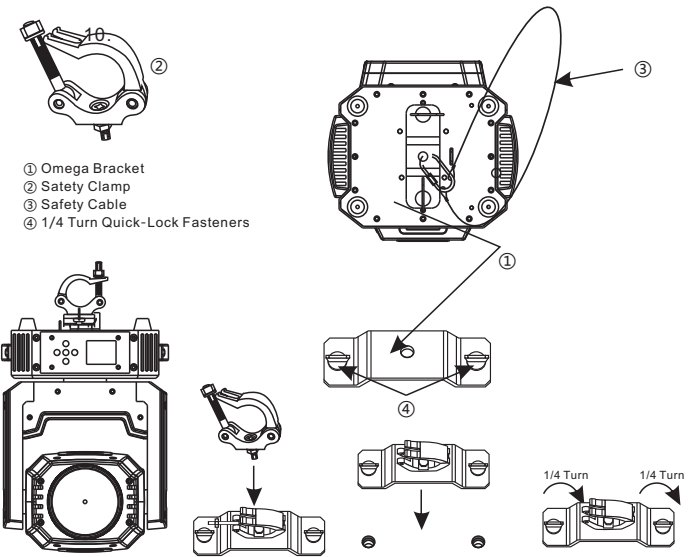
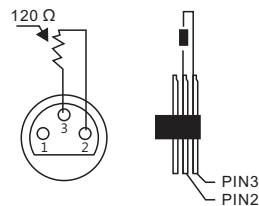
Connect the provided XLR cable to the female 3-pin XLR output of your controller and the other side to the male 3-pin XLR input of the moving head. You can chain multiple

Moving head together through serial linking. The cable needed should be two core, screened cable with XLR input and output connectors. Please refer to the diagram below.

DMX-512 connection with DMX terminator



For installations where the DMX cable has to run a long distance or is in an electrically noisy environment, such as in a discotheque, it is recommended to use a DMX terminator. This helps in preventing corruption of the digital control signal by electrical noise. The DMX terminator is simply an XLR plug with a 120 Ω resistor connected between pins 2 and 3, which is then plugged into the output XLR socket of the last fixture in the chain. Please see illustrations below.



Regardless of the rigging option you choose for your MINI BEAM 1R, always be sure to secure your fixture with a safety cable. The fixture provides a built-in rigging point for a safety cable on the hanging bracket as illustrated above. Be sure to only use the designated rigging point for the safety cable and never secure a safety cable to a carrying handle.