

10 MAINTENANCE AND CLEANING

The following points have to be considered during the inspection:

- 1) All screws for installing the devices or parts of the device have to be tightly connected and must not be corroded.
- 2) There must not be any deformations on the housing, color lenses, fixations and installation spots (ceiling, suspension, trussing).
- 3) Mechanically moved parts must not show any traces of wearing and must not rotate with unbalances.
- 4) The electric power supply cables must not show any damage, material fatigue or sediments.

Further instructions depending on the installation spot and usage have to be adhered by a skilled installer and any safety problems have to be removed.



CAUTION

Disconnect from mains before starting maintenance operation.



In order to make the lights in good condition and extend the life time, we suggest a regular cleaning to the lights.

- 1) Clean the inside and outside lens each week to avoid the weakness of the lights due to accumulation of dust.
- 2) Clean the fan each week.
- 3) A detailed electric check by approved electrical engineer each three month, make sure that the circuit contacts are in good condition, prevent the poor contact of circuit from overheating.

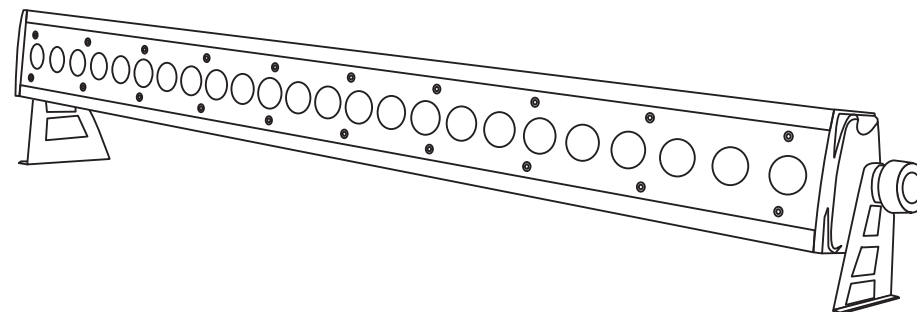
We recommend a frequent cleaning of the device. Please use a moist, lint- free cloth. Never use alcohol or solvents.

There are no serviceable parts inside the device. Please refer to the instructions under "Installation instructions".

Should you need any spare parts, please order genuine parts from your local dealer.

JUNIOR

PR



JNR BAR 24*10 JNR-B8018

PR LIGHTING LTD.
<http://www.pr-lighting.com>
1582 Xingye Avenue, Nancun Panyu
Guangzhou, 511442 China
TEL: +86-20-3995 2888

1 SAFETY INSTRUCTIONS



CAUTION

Becareful with your operations. With a dangerous voltage you can suffer a dangerous electric shock when touching wires!

This device has left the factory in perfect condition. In order to maintain this condition and to ensure a safe operation, it is absolutely necessary for the user to follow the safety instructions and warning notes written in this user manual.



IMPORTANT

Damages caused by the disregard of this user manual are not subject to warranty. The dealer will not accept liability for any resulting defects or problems.

If the device has been exposed to temperature changes due to environmental changes, do not switch it on immediately. The arising condensation could damage the device. Leave the device switched off until it has reached room temperature.

This device falls under protection-class I. Therefore it is essential that the device be earthed.

The electric connection must carry out by qualified person.

The device shall only be used with rate voltage and frequency.

Make sure that the available voltage is not higher than stated at the end of this manual.

Make sure the power cord is never crimped or damaged by sharp edges. If this would be the case, replacement of the cable must be done by an authorized dealer.

Always disconnect from the mains, when the device is not in use or before cleaning it. Only handle the power cord by the plug. Never pull out the plug by tugging the power cord.

During initial start-up some smoke or smell may arise. This is a normal process and does not necessarily mean that the device is defective, it should decrease gradually.

Please don't project the beam onto combustible substances.

Fixtures cannot be installed on combustible substances, keep more than 50cm distance with wall for smooth air flow, so there should be no shelter for fans and ventilation for heat radiation.

If the external flexible cable or cord of this luminaire is damaged, it shall be exclusively replaced by the manufacturer or his service agent or a similar qualified person in order to avoid a hazard.

10 MAINTENANCE AND CLEANING

The following points have to be considered during the inspection:

- 1) All screws for installing the devices or parts of the device have to be tightly connected and must not be corroded.
- 2) There must not be any deformations on the housing, color lenses, fixations and installation spots (ceiling, suspension, trussing).
- 3) Mechanically moved parts must not show any traces of wearing and must not rotate with unbalances.
- 4) The electric power supply cables must not show any damage, material fatigue or sediments.

Further instructions depending on the installation spot and usage have to be adhered to by a skilled installer and any safety problems have to be removed.



CAUTION

Disconnect from mains before starting maintenance operation.



In order to make the lights in good condition and extend the life time, we suggest a regular cleaning to the lights.

- 1) Clean the inside and outside lens each week to avoid the weakness of the lights due to accumulation of dust.
- 2) Clean the fan each week.
- 3) A detailed electric check by approved electrical engineer each three month, make sure that the circuit contacts are in good condition, prevent the poor contact of circuit from overheating.

We recommend a frequent cleaning of the device. Please use a moist, lint-free cloth. Never use alcohol or solvents.

There are no serviceable parts inside the device. Please refer to the instructions under "Installation instructions".

Should you need any spare parts, please order genuine parts from your local dealer.

9 DMX CHANNELS

4CH Mode

Channel	Function	Value	Description
1	Red	0-255	0-100% Red dimmer
2	Green	0-255	0-100% Green dimmer
3	Blue	0-255	0-100% Blue dimmer
4	White	0-255	0-100% White dimmer

9CH Mode

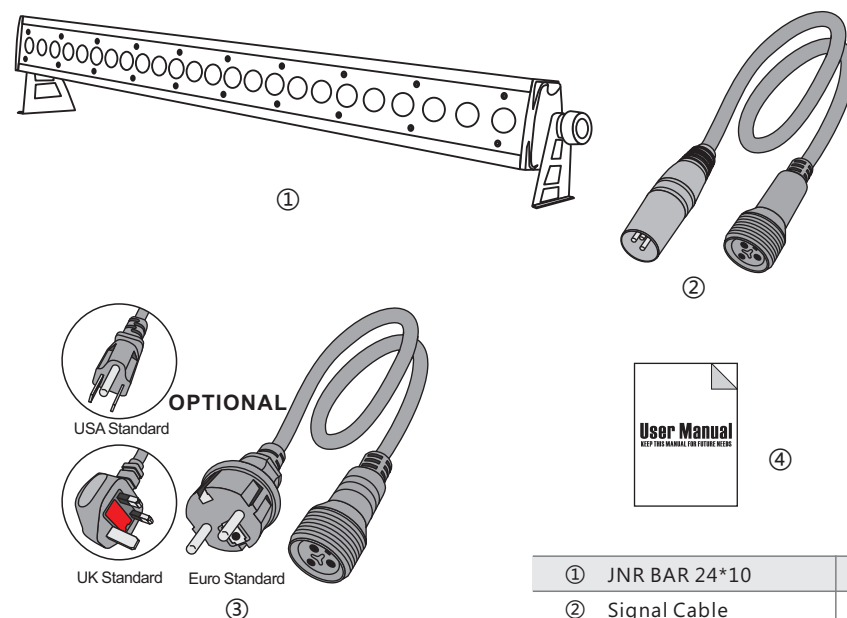
Channel	Function	Value	Description
1	Dimmer	0-255	0-100% Linear dimmer
2	Red	0-255	0-100% Red dimmer
3	Green	0-255	0-100% Green dimmer
4	Blue	0-255	0-100% Blue dimmer
5	White	0-255	0-100% White dimmer
6	Strobe	0-255	Strobe effect from slow to fast
7	Auto	0-015	LED OFF
		016-255	Auto color mixing from slow to fast
8	Speed	0-255	Speed of Auto color mixing and strobe from slow to fast
9	Sound	0-127	Sound control OFF (from controller)
	Control	128-255	Sound control ON (from controller)

2 UNPACKING

Thank you for choosing our JNR BAR 24*10. For your own safety, please read this manual before installing the device. This manual covers the important information on installation and applications. Please install and operate the fixture with following instructions. Meanwhile, please keep this manual well for future needs.

The JNR BAR 24*10 is made of a new type of high temperature strength of aluminum casing with nice outlook. The fixture is designed and manufactured strictly following CE standards, complying with international standard DMX512 protocol. It's available independently controlled and linkable with each other for operation. And it is applicable for large-scale live performances, theater, studio, nightclubs and discos.

The JNR BAR 24*10 adopts 24PCS 10W 4-in-1 LEDs (RGBW) which features high brightness and stability. Please carefully unpack it when you receive the fixture and check whether it is damaged during the transportation. And please check whether the following items are included inside the box:



①	JNR BAR 24*10	1PC
②	Signal Cable	1PC
③	Power Cable	1PC
④	User Manual	1PC

3 FEATURES & SPECIFICATIONS

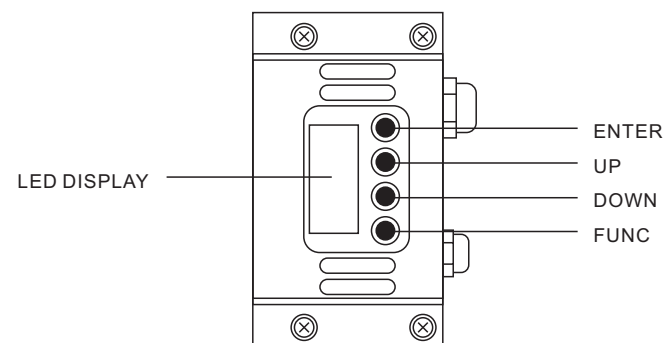
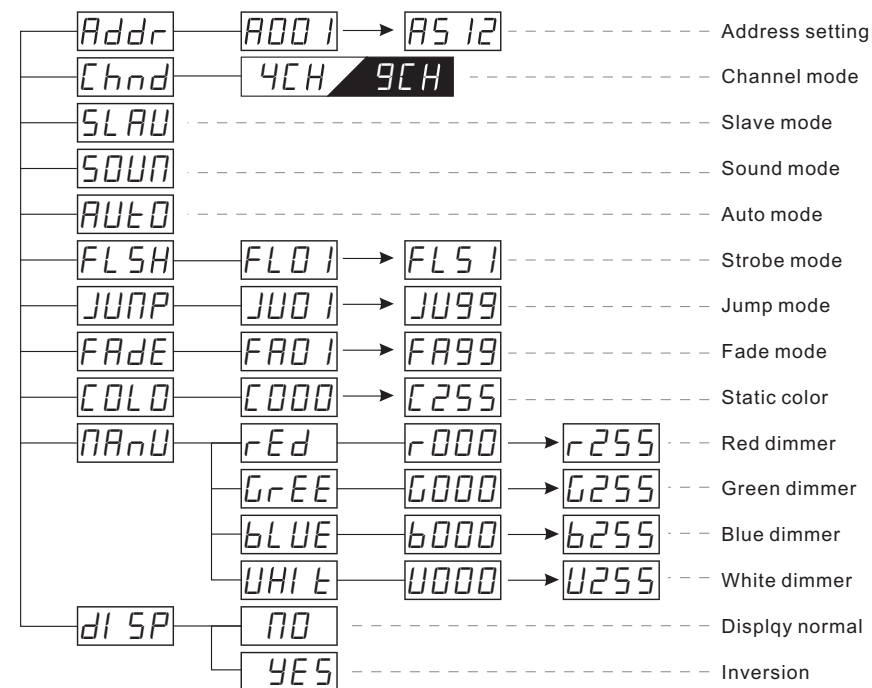
Features

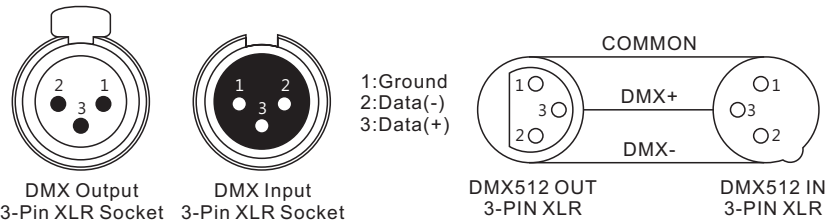
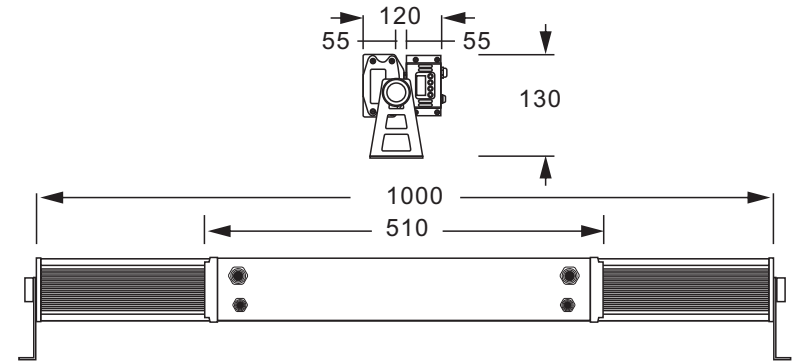
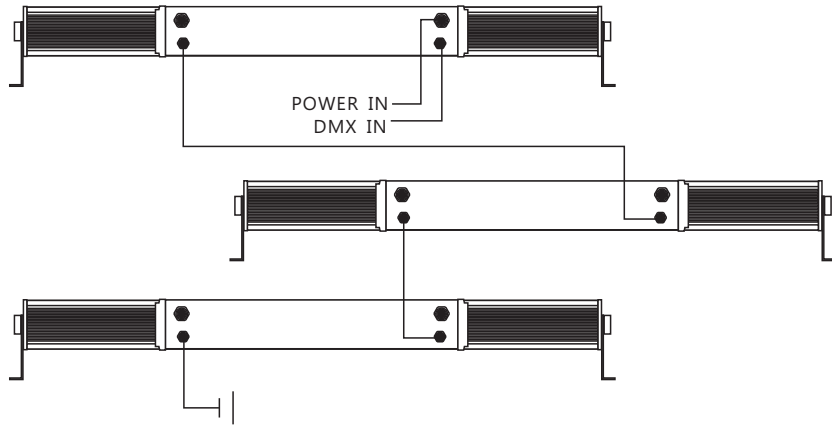
- 24PCS 10W 4-in-1 LEDs (RGBW)
- 16.7 millions of colors by mixing
- Specific high efficiency 25 degree optic lens
- 50,000 hours life span and lower power consumption
- Controllable manually for TILT angle adjustment
- LED shutter effect
- Smooth LED dimming
- LED rainbow effect
- Macro effect
- Strobe effect with 25 flashes per second
- General dimming and blackout for all four colors
- 4/9 DMX channel modes
- DMX512, master-slave and sound activated controllable or auto operation
- LED display
- Waterproof power connectors IN/OUT
- 3-PIN DMX waterproof connectors IN/OUT
- -40°C to 40°C operation temperature
- Die-cast aluminum structure
- IP65 protection rating

Specifications

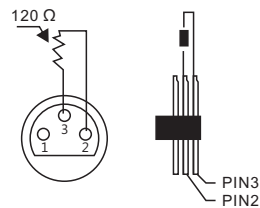
- Input Voltage:** AC90-260V 50/60Hz
- LED Quantities:** 24PCS 10W 4-in-1 LEDs (RGBW)
- Control Signal:** DMX512, master-slave and sound activated or auto operation
- Control Channel:** 4/9 DMX channel USITT DMX-512
- Power Consumption:** 245W
- Dimensions:** 1000(D)*120(W)*130(H)mm
- Packing Dimensions:** 1140(D)*170(W)*240(H)mm
- Net Weight:** 6.28kg
- Gross Weight:** 7.82kg

8 MENU OPERATIONS





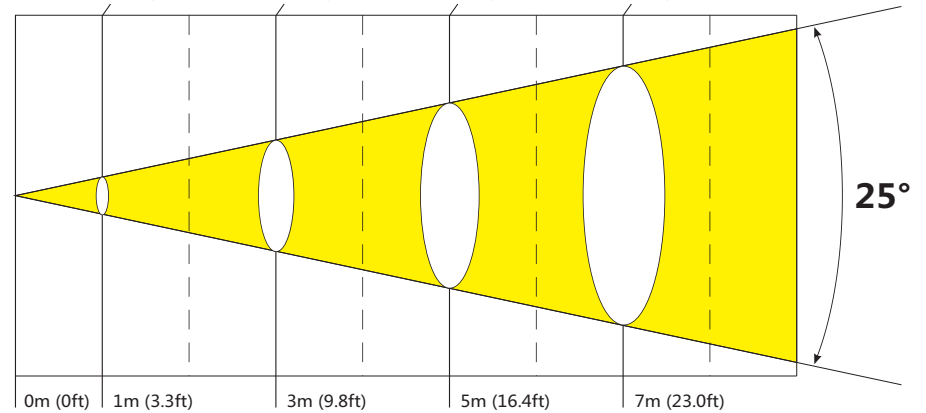
For installations where the DMX cable has to run a long distance or is in an electrically noisy environment, such as in a discotheque, it is recommended to use a DMX terminator. This helps in preventing corruption of the digital control signal by electrical noise. The DMX terminator is simply an XLR plug with a 120 Ω resistor connected between pins 2 and 3, which is then plugged into the output XLR socket of the last fixture in the chain. Please see illustrations below.



4 PHOTOMETRIC DATA

■ Photometric Beam Angle Data 25° Beam Angle LUX × 0.0929 = FC

	R	G	B	W	RGBW	(FC/LUX)
R	96 / 1030	24 / 260	9 / 100	5 / 50		
G	237 / 2550	44 / 470	17 / 180	9 / 100		
B	279 / 3000	64 / 690	23 / 250	12 / 130		
W	255 / 2750	54 / 580	21 / 230	11 / 120		
RGBW	864 / 9300	167 / 1800	76 / 820	39 / 420		

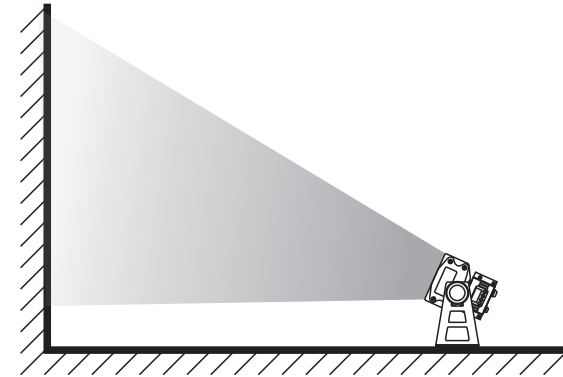


5 OPERATION INSTRUCTIONS

- The JNR BAR 24*10 is for wash effect for on-site decoration purpose.
- Don't turn on the fixture if it's been through severe temperature difference like after transportation because it might damage the light due to the environment changes. So make sure to operate the fixture until it is in normal temperature.
- This light should be keep away from strong shaking during any transportation or movement.
- Don't pull up the light by only the head, or it might cause damages to the mechanical parts.
- Don't expose the fixture in overheat, moisture or environment with too much dust when installing it. And don't lay any power cables on the floor. Or it might cause electronic shock to the people.
- Make sure the installation place is in good safety condition before installing the fixture.
- Make sure to put the safety chain and check whether the screws are screwed properly when installing the fixture.
- Make sure the lens are in good condition. It's recommended to replace the units if there are any damages or severe scratch.
- Make sure the fixture is operated by qualified personnel who knows the fixture before using.
- Keep the original packages if any second shipment is needed.
- Don't try to change the fixtures without any instruction by the manufacturer or the appointed repairing agencies.
- It is not in warranty range if there are any malfunctions from not following the user manual to operate or any illegal operation, like shock short circuit, electronic shock, lamp broke, etc.

6 INSTALLATIONS

Wall or architecture projections: You could just install the JNR BAR 24*10 near below the wall, projecting angles adjustable with any angles suitable for on-site requirements.



7 DMX-512 CONTROL CONNECTIONS

Connect the provided XLR cable to the female 3-pin XLR output of your controller and the other side to the male 3-pin XLR input of the architectural . You can chain

multiple Architectural together through serial linking. The cable needed should be two core, screened cable with XLR input and output connectors. Please refer to the diagram below.

