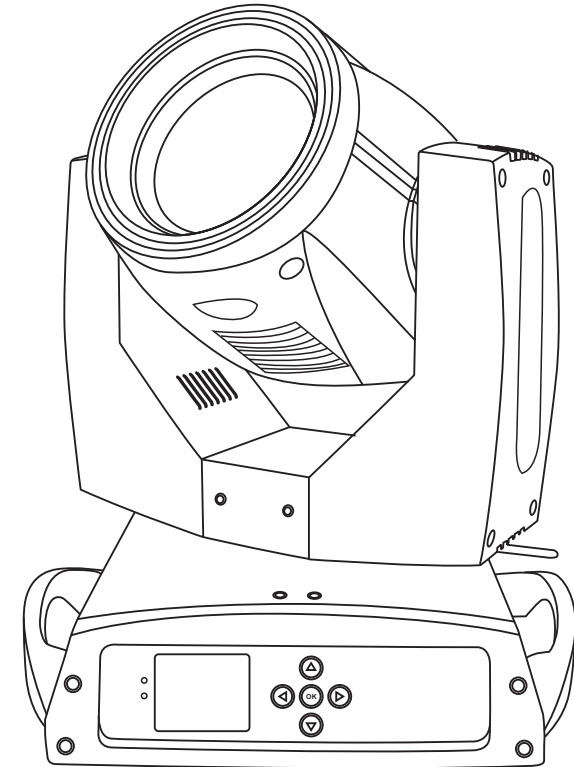


# JUNIOR



## JNR BEAM 230 JNR-8069A

PR LIGHTING LTD.  
<http://www.pr-lighting.com>  
1582 Xingye Avenue, Nancun Panyu  
Guangzhou, 511442 China  
TEL: +86-20-3995 2888

# **1 SAFETY INSTRUCTIONS**



## **CAUTION**

Becareful with your operations. With a dangerous voltage you cansuffer a dangerous electric shock when touching wires!

This device has left the factory in perfect condition. In order to maintain this condition and to ensure a safe operation, it is absolutely necessary for the user to follow the safety instructions and warning notes written in this user manual.



## **IMPORTANT**

Damages caused by the disregard of this user manual are not subject to warranty. The dealer will not accept liability for any resulting defects or problems.

If the device has been exposed to temperature changes due to environmental changes, do not switch it on immediately. The arising condensation could damage the device. Leave the device switched off until it has reached room temperature.

This device falls under protection-class I. Therefore it is essential that the device be earthed.

The electric connection must carry out by qualified person.

The device shall only be used with rate voltage and frequency.

Make sure that the available voltage is not higher than stated at the end of this manual.

Make sure the power cord is never crimped or damaged by sharp edges. If this would be the case, replacement of the cable must be done by an authorized dealer.

Always disconnect from the mains, when the device is not in use or before cleaning it. Only handle the power cord by the plug. Never pull out the plug by tugging the power cord.

During initial start-up some smoke or smell may arise. This is a normal process and does not necessarily mean that the device is defective, it should decrease gradually.

Please don't project the beam onto combustible substances.

Fixtures cannot be installed on combustible substances, keep more than 50cm distance with wall for smooth air flow, so there should be no shelter for fans and ventilation for heat radiation.

If the external flexible cable or cord of this luminaire is damaged, it shall be exclusively replaced by the manufacturer or his service agent or a similar qualified person in order to avoid a hazard.

## 10 MAINTENANCE AND CLEANING

The following points have to be considered during the inspection:

- 1) All screws for installing the devices or parts of the device have to be tightly connected and must not be corroded.
- 2) There must not be any deformations on the housing, color lenses, fixations and installation spots (ceiling, suspension, trussing).
- 3) Mechanically moved parts must not show any traces of wearing and must not rotate with unbalances.
- 4) The electric power supply cables must not show any damage, material fatigue or sediments.

Further instructions depending on the installation spot and usage have to be adhered by a skilled installer and any safety problems have to be removed.



### CAUTION

Disconnect from mains before starting maintenance operation.



In order to make the lights in good condition and extend the life time, we suggest a regular cleaning to the lights.

- 1) Clean the inside and outside lens each week to avoid the weakness of the lights due to accumulation of dust.
- 2) Clean the fan each week.
- 3) A detailed electric check by approved electrical engineer each three month, make sure that the circuit contacts are in good condition, prevent the poor contact of circuit from overheating.

We recommend a frequent cleaning of the device. Please use a moist, lint-free cloth. Never use alcohol or solvents.

There are no serviceable parts inside the device. Please refer to the instructions under "Installation instructions".

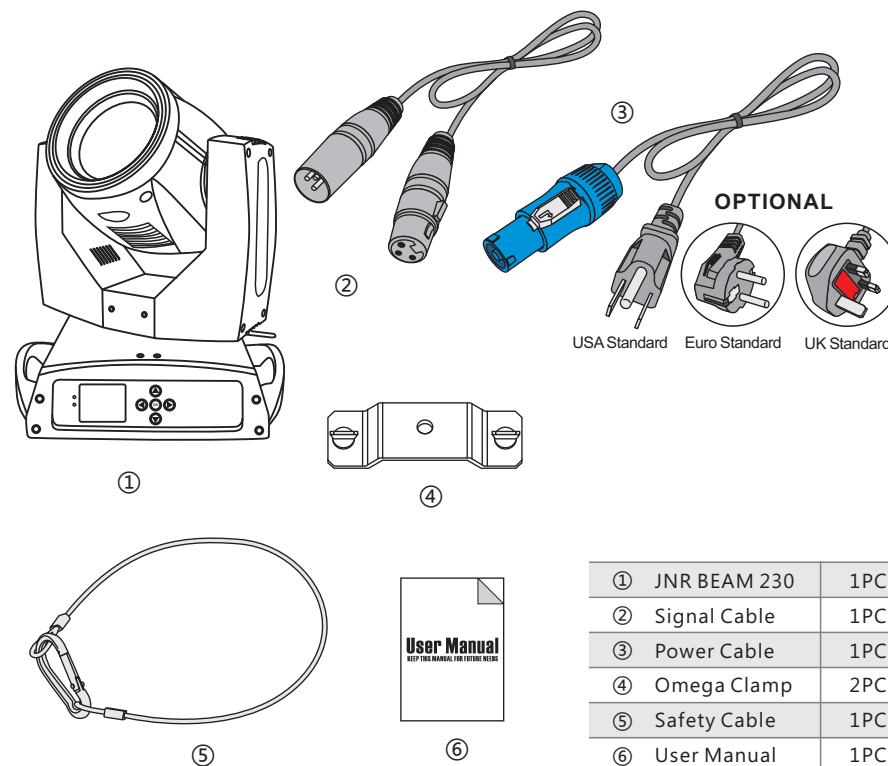
Should you need any spare parts, please order genuine parts from your local dealer.

## 2 UNPACKING

Thank you for choosing our JNR BEAM 230. For your own safety, please read this manual before installing the device. This manual covers the important information on installation and applications. Please install and operate the fixture with following instructions. Meanwhile, please keep this manual well for future needs.

The JNR BEAM 230 is made of a new type of high temperature strength of engineering plastics and cast aluminum casing with nice outlook. The fixture is designed and manufactured strictly following CE standards, complying with international standard DMX512 protocol. It's available independently controlled and linkable with each other for operation. And it is applicable for small to medium live performances, theater, studio, nightclubs and discos.

The JNR BEAM 230 adopts 1PCS 231W OSRAM projector lamp which features high brightness and stability. Please carefully unpack it when you receive the fixture and check whether it is damaged during the transportation. And please check whether the following items are included inside the box:



①	JNR BEAM 230	1PC
②	Signal Cable	1PC
③	Power Cable	1PC
④	Omega Clamp	2PC
⑤	Safety Cable	1PC
⑥	User Manual	1PC

### 3 FEATURES & SPECIFICATIONS

#### Features

- 1PCS 231W OSRAM projector lamp
- 2000 hours lifespan and low power consumption
- 43670LUX at 20 meters
- 3.8° beam angle
- No need for adjustment of reflector or lamp
- Anti-reflection lenses
- 1 color wheel with total 14 colors plus open
- Variable direction rainbow effect with speed adjustable
- 1 static gobo wheel with 17 gobos plus open
- 1 rotatable 8-facet prism with speed adjustable and variable direction
- Variable Frost Filter (Hybrid effect for Wash)
- Dual flag mechanical dimming system
- Variable speed strobe effect
- Preset variable/random strobe and dimming pulse effects
- Motor driven focus from near to far
- 540° PAN and 270° TILT movement
- Automatic Pan / Tilt position correction
- 16 bit smooth and precise resolution for PAN/TILT movement
- Blue LCD Display
- 16/20 DMX channels USITT DMX-512
- DMX, stand-alone, master/slave, sound activated mode
- DMX recorder and edit function integrated
- 3-pin or 5-Pin XLR serial input/output
- Fan cooling system
- 2 x 1/4 turn fastening Omega Clamps
- Electronic ballast and power supply

#### Specifications

**Input Voltage:** AC90-260V 50/60Hz

**LED Quantities:** 1PCS 231W OSRAM projector lamp

**Control Signal:** DMX512, master-slave and sound activated or auto operation

**Control Channel:** 16/20 DMX Channels switchable

**Power Consumption:** 270W

**Dimensions:** 335(D)\*405(W)\*473(H)mm

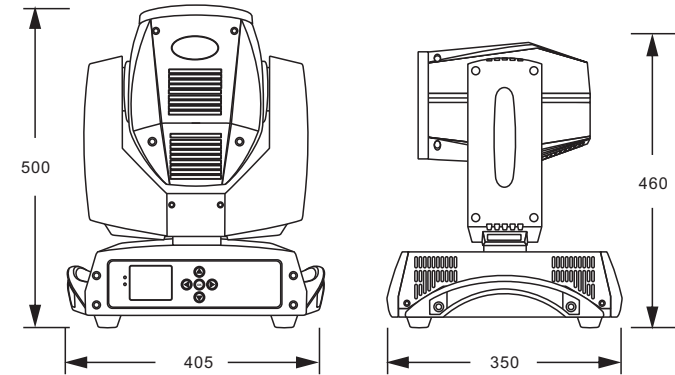
**Packing Dimensions:** 410(D)\*440(W)\*540(H)mm

**Net Weight:** 16.04kg

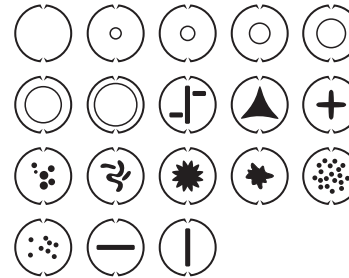
**Gross Weight:** 18.24kg

4	4	Static gobo channel	...	...
			250	Gobo 16 shake, fast speed
			251	Gobo 17 shake, slow speed
			...	...
5	5	Prism insertion	0-127	Prism excluded
			128-255	Prism inserted
6	6	Prism rotation	0-127	Position
			128	fast rotation
			...	...
			190	Slow rotation
			191-192	Stop
			193	Slow rotation
			...	...
255	Fast rotation			
7	7	Effect movement	0-255	Effect movement
8	8	Frost	0-127	Frost excluded
			128-255	Frost inserted
9	9	Focus	0	0%
			...	...
			255	100%
10	10	Pan	0-255	Pan
11	11	Pan-fine	0-255	Pan-fine
12	12	Tilt	0-255	Tilt
13	13	Tilt-fine	0-255	Tilt-fine
14	14	Function	0-255	Function
15	15	Reset	0-25	Unused range
			26-76	Effects reset
			77-127	Pan/Tilt reset
			128-255	Complete reset
16	16	Lamp control	0-9	Unused range
			10-100	Lamp off
			101-255	Lamp on
	17	Timing	0-255	Pan-Tilt time
	18		0-255	Colour time
	19		0-255	Beam time
	20		0-255	Gobo time

2	2	Stop/Strobe	... ..	... ..
			207	Fast pulsation
			208-212	Open
			213-225	Random slow strobe
			226-238	Random redium strobe
			239-251	Random fast strobe
252-255	Open			
3	3	Dimmer	0	0%
			... ..	... ..
			255	100%
4	4	Static gobo channel	0	White
			5	Gobo 1
			10	Gobo 2
			15	Gobo 3
			20	Gobo 4
			25	Gobo 5
			30	Gobo 6
			35	Gobo 7
			40	Gobo 8
			45	Gobo 9
			50	Gobo 10
			55	Gobo 11
			60	Gobo 12
			65	Gobo 13
			70	Gobo 14
			75	Gobo 15
			80	Gobo 16
			85	Gobo 17
			90	Fast rotation
			... ..	... ..
			129	Slow rotation
			130-134	Stop
			135	Slow rotation
			... ..	... ..
170	Fast rotation			
171	Gobo 1 shake, slow speed			
... ..	... ..			
175	Gobo 1 shake, slow speed			
176	Gobo 2 shake ,fast speed			
... ..	... ..			
180	Gobo 16 shake, slow speed			
... ..	... ..			
246	Gobo 16 shake, slow speed			



Static gobos

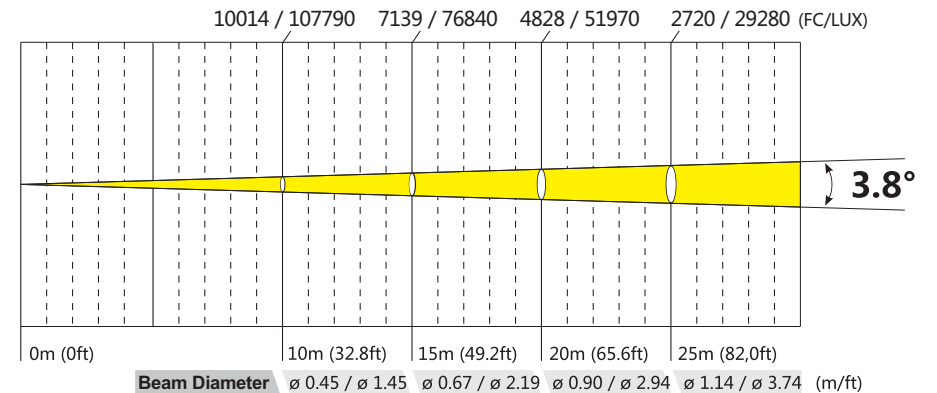


Colors



## 4 PHOTOMETRIC DATA

Photometric Beam Angle Data  $3.8^\circ \text{ Beam Angle } \text{LUX} \times 0.0929 = \text{FC}$



## 5 OPERATION INSTRUCTIONS

- The JNR BEAM 230 is for beam effect for on-site decoration purpose.
- Don't turn on the fixture if it's been through severe temperature difference like after transportation because it might damage the light due to the environment changes. So make sure to operate the fixture until it is in normal temperature.
- This light should be keep away from strong shaking during any transportation or movement.
- Don't pull up the light by only the head, or it might cause damages to the mechanical parts.
- Don't expose the fixture in overheat, moisture or environment with too much dust when installing it. And don't lay any power cables on the floor. Or it might cause electronic shock to the people.
- Make sure the installation place is in good safety condition before installing the fixture.
- Make sure to put the safety chain and check whether the screws are screwed properly when installing the fixture.
- Make sure the lens are in good condition. It's recommended to replace the units if there are any damages or severe scratch.
- Make sure the fixture is operated by qualified personnel who knows the fixture before using.
- Keep the original packages if any second shipment is needed.
- Don't try to change the fixtures without any instruction by the manufacturer or the appointed repairing agencies.
- It is not in warranty range if there are any malfunctions from not following the user manual to operate or any illegal operation, like shock short circuit, electronic shock, lamp broke, etc.

## 6 INSTALLATIONS

**Cautions:** For added protection mount the fixtures in areas outside walking paths, seating areas, or in areas were the fixture might be reached by unauthorized personnel.

Before mounting the fixture to any surface, make sure that the installation area can hold a minimum point load of 10 times the device's weight.

Fixture installation must always be secured with a secondary safety attachment, such as an appropriate safety cable.

## 9 DMX CHANNELS

Channel/Mode		Function	Values	Description
16CH	20CH			
1	1	Color Wheel	0	White
			5	White + Red
			10	Red
			15	Red + Orange
			20	Orange
			25	Orange + Aquamarine
			30	Aquamarine
			35	Aquamarine + Green
			40	Green
			45	Green + Light green
			50	Light green
			55	Light green + Lavender
			60	Lavender
			65	Lavebder + Pink
			70	Pink
			75	Pink + Yellow
			80	Yellow
			85	Yellow + Magenta
			90	Magenta
			95	Magenta + Cyan
			100	Cyan
			105	Cyan + CTO 260
			110	CTO 260
			115	CYO 260+CTO 190
			120	CYO 190
125	CTO 190 + CTB 8000			
130	CTB 8000			
135	CTB 8000 + Blue			
140	Blue			
145	Blue + White			
150	Slow rotation			
...	...			
255	Fast rotation			
2	2	Stop/Strobe	0-3	Closed
			4	Slow strobe
			...	...
			103	Fast strobe
			104-107	Open
			108	Slow Pulsation

## 8 MENU OPERATIONS

MENU	Run Mode	DMX	Machine state:From control table or mainframe DMX signal
		Auto	Host state:auto movement ,also send DMX signal Attention:If after lamp is put out state,and will not auto light up lamp
		Sound	Host state:sound control movement ,also send DMX signal
	DMX Address	1~512	
	Channel Mode	16CH	17-20CH nullity
		20CH	17-20CH control speed
	Invert PAN	OFF	
		ON	
	Invert TILT	OFF	
		ON	
	Swap PAN-TILT	OFF	
		ON	Swap PAN/TILT Channel (Including fine control)
	Encoder PAN-TILT	ON	Correction on PAN/TILT
		OFF	No correction
	No DMX Signal	KEEP	Keep the current status
		CLEAR	Back to original position
Display protect	ON	Display off in 30 seconds	
	OFF	Always ON	
Open lamp	OFF	Lamp OFF after power on (need to start up the lamp by menu or controller)	
	ON	Lamp ON after power on	
Restore the default		Press the "confirm" key to see the confirmation dialog box, again press the "confirm" key to restore the default settings	

Never stand directly below the device when mounting, removing, or servicing the fixture.

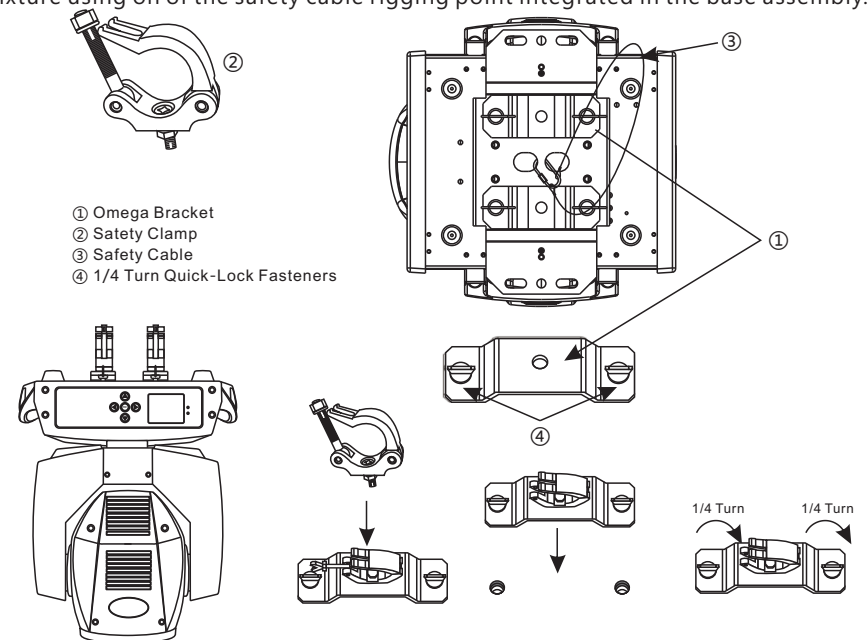
from a ceiling, or set on a flat level surface (see illustration below). Be sure this fixture is kept at least 0.5m (1.5 ft) away from any flammable materials (decoration etc.).

Always use and install the supplied safety cable as a safety measure to prevent accidental damage and/or injury in the event the clamp fails.

**Mounting points:** Overhead mounting requires extensive experience, including amongst others calculating working load limits, a fine knowledge of the installation material being used, and periodic safety inspection of all installation material and the fixture. If you lack these qualifications, do not attempt the installation yourself. Improper installation can result in bodily injury.

Be sure to complete all rigging and installation procedures before connecting the main power cord to the appropriate wall outlet.

**Clamp Mounting:** The JNR BEAM 230 provides a unique mounting bracket assembly that integrates the bottom of the base, the included "Omega Bracket," and the safety cable rigging point in one unit (see the illustration below). When mounting this fixture to truss be sure to secure an appropriately rated clamp to the included omega bracket using a M10 screw fitted through the center hole of the "omega bracket". As an added safety measure be sure to attached at least one properly rated safety cable to the fixture using on of the safety cable rigging point integrated in the base assembly.



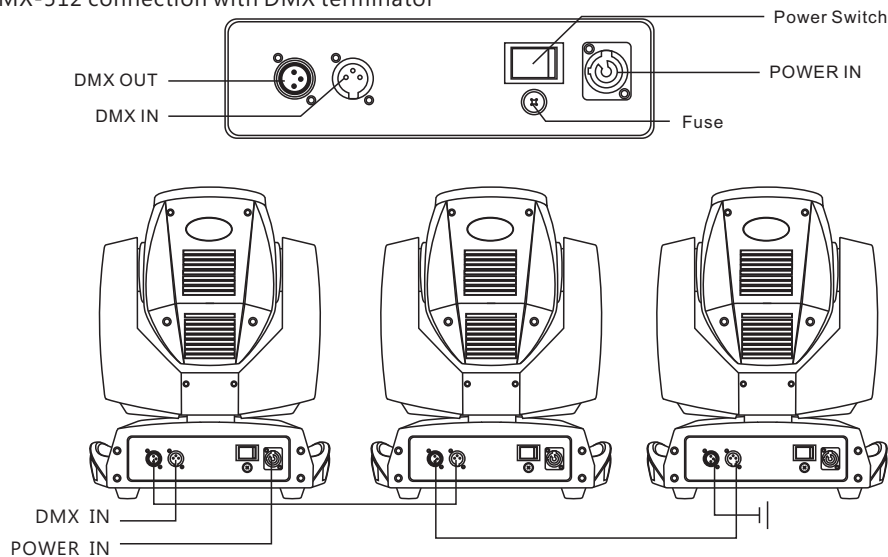
Regardless of the rigging option you choose for your JNR BEAM 230, always be sure to secure your fixture with a safety cable. The fixture provides a built-in rigging point for a safety cable on the hanging bracket as illustrated above. Be sure to only use the designated rigging point for the safety cable and never secure a safety cable to a carrying handle.

## 7 DMX-512 CONTROL CONNECTIONS

Connect the provided XLR cable to the female 3-pin XLR output of your controller and the other side to the male 3-pin XLR input of the moving head. You can chain multiple

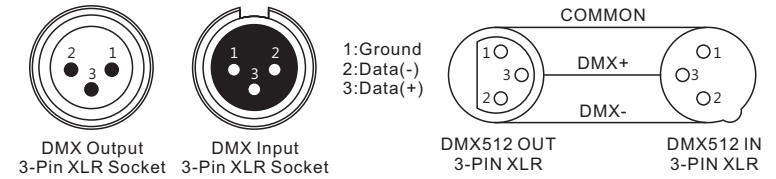
Moving head together through serial linking. The cable needed should be two core, screened cable with XLR input and output connectors. Please refer to the diagram below.

DMX-512 connection with DMX terminator



**If you connect fixtures to AC power in a linked chain, please do not link more than:**

1. Three(3) fixtures at 100-120VAC, 50/60Hz.
2. Four(4) fixtures at 200-240 V, 50/60Hz.



For installations where the DMX cable has to run a long distance or is in an electrically noisy environment, such as in a discotheque, it is recommended to use a DMX terminator. This helps in preventing corruption of the digital control signal by electrical noise. The DMX terminator is simply an XLR plug with a 120  $\Omega$  resistor connected between pins 2 and 3, which is then plugged into the output XLR socket of the last fixture in the chain. Please see illustrations below.

